

PRODUCT DESCRIPTION



SUPALFX



SUPASFX

Uptec FX is a **fixed head system** consisting of only 3 polypropylene elements adjustable in height, designed to create outdoor raised floors. The Uptec FX system, consists of:

- SUPALFX** (low support - adjustable from 28 to 43mm)
- SUPASFX** (standard support - adjustable from 43 to 58mm)
- SUPAR** (30mm stackable ring compatible with SUPASFX to reach heights above 58mm).

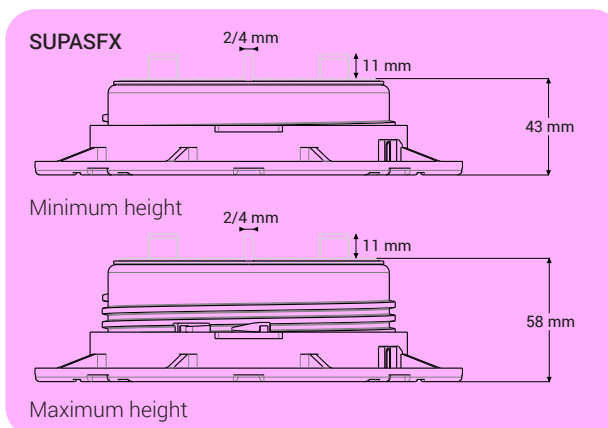
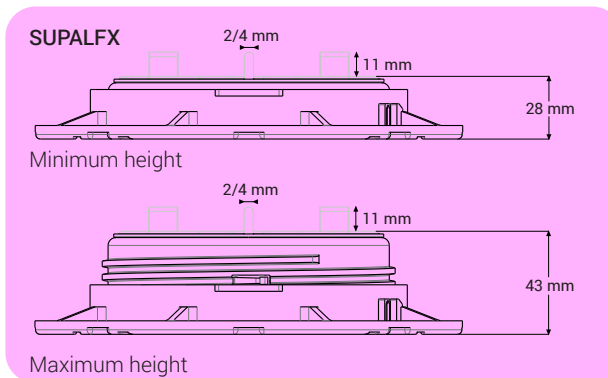
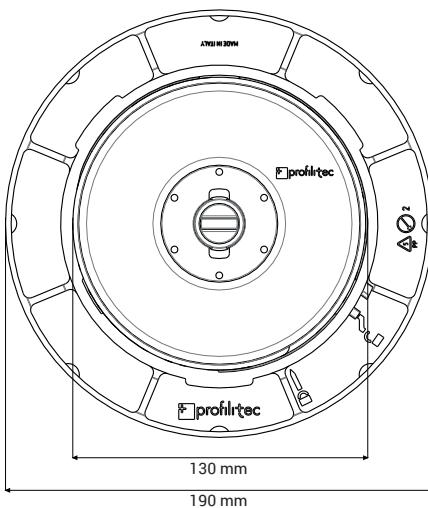
The base of the supports has a diameter of 190mm and the top has a diameter of 130mm. **SUPA2FX** and **SUPA4FX** heads can be mounted on the top of supports to create joints of 2mm and 4mm, respectively. The heads are made of polypropylene and rubber and provide high **anti-noise** and **anti-slip** performance.

Height adjustment is done **from above**, even when the **floor is finished**, using the SUPAK adjustment key.

To reach **greater heights**, simply **add SUPAR rings** on the standard SUPASFX support.

To compensate slopes, the SUPL2 (2mm) or SUPL3 (3mm) polypropylene leveling discs can be used, offering additional slope adjustment of the supports.

TECHNICAL DRAWINGS





PACKAGING

Models	Height (mm)	Description	Peso kg/pc	Pc/pck	Packaging mm	pc/pallet
SUPALFX	28÷43	Low fixed head pedestal	0,201	24 pcs	390x390xh165	1296
SUPASFX	43÷58	Standard fixed head pedestal	0,269	24 pcs	390x390xh255	864
SUPAR	30	Stackable ring	0,130	24 pcs	390x390xh155	1296

Models	Thickness (mm)	Description	Pc/pck	Packaging mm
SUPA2FX	2	Tabs for 2 mm joints	240 pcs	400x500xh100
SUPA4FX	4	Tabs for 4 mm joints	240 pcs	400x500xh100
SUPA2FXSET24	2	Tabs for 2 mm joints - set 24 pcs	24 pcs	-
SUPA4FXSET24	4	Tabs for 4 mm joints - set 24 pcs	24 pcs	-

PHYSICAL - CHEMICAL CHARACTERISTICS

Composition: Recycled Polypropylene
Tested at temperatures: -20°C / +80°C
Fire resistance: HB in compliance with the UL94 regulation

TECHNICAL DETAILS - LOAD BEARING CAPACITY

Models	Plan	Temperature (°C)	Speed (mm/min)	Load bearing capacity (kg)
SUPALFX - SUPASFX	HORIZONTAL	21	10	1400

WARNINGS



The surface on which the product will be set must be perfectly clean, with no traces of liquids, dirt or foreign materials.



Set the pedestals on cement, concrete, EPDM, rubber, single-layer, other roofing systems, or directly on insulating materials, checking the compressive strength of the support material.



Check that the laying surface complies with the drawing specifications and that there is an adequate drainage system.



They cannot be subjected to vibrating machinery and equipment. This also includes cars, maintenance vehicles and other similar equipment.

INTERCHANGEABLE HEADS

Composition: Bicomponent (polypropylene and rubber)

SUPA2FX



- Ceramic installation
- Tabs for 2mm

SUPA4FX



- Ceramic installation
- Aluminum joist
- Tabs for 4mm



- Anti-slip
- Anti-noise

ADJUSTMENT KEY SUPAK

The adjustment key is designed to facilitate height adjustment and facilitate removal of the tabs.

1 Adjustable height



2 Remove tabs

